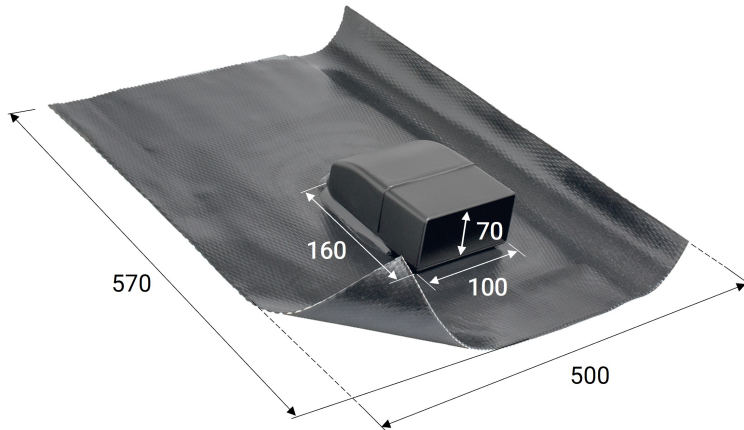




FLECK Saniflex universal vent DN 100



All dimensions in [mm]

PRODUCT INFORMATION

Due to its low installation height of only approx. 70 mm, the FLECK Saniflex universal vent DN 100 is ideally suited for connecting an existing DN 100 ventilation pipe beneath a photovoltaic system.

The free ventilation cross-section is 55 cm².

MATERIAL

- Main components made of highly weather-resistant and durable special rigid PVC
- Lead substitute flashing made from environmentally friendly ECO FORM material with a flexible expanded aluminum mesh core, fully embedded in recycled polyvinyl butyral (PVB)
- UV-stabilized and long-lasting
- Colors: Black, Red

Fire Classification

- Class B2 according to DIN 4102

Accessories

- Flexible universal hose DN 100, length 0.5 m is included
- Complete with hose clamp and reducer

TECHNICAL NOTES



Installation manual for
*flex-Universal Products
fleck-dach.de/en/services/downloads/